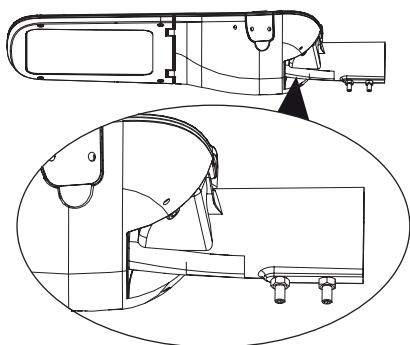


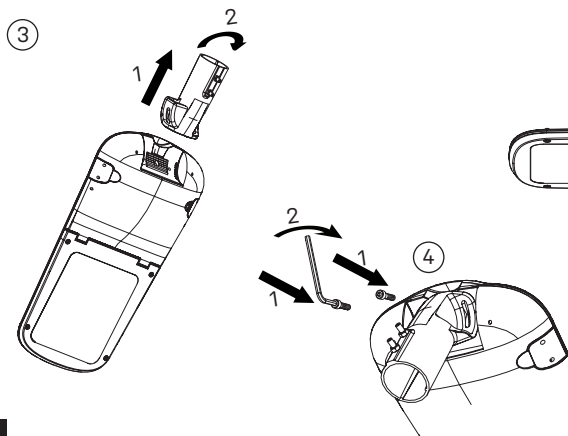
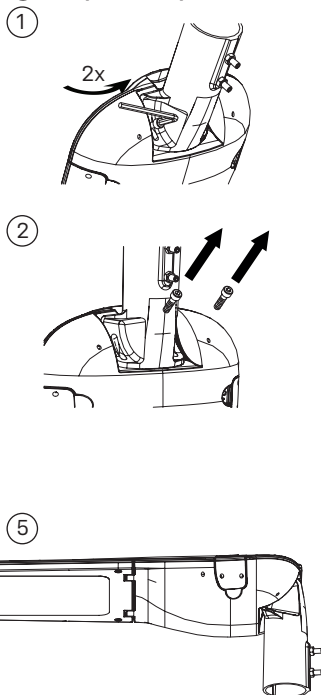
	A	B	C	D	X	Y
26/55W	630	95	265	60	185	150
82W	720	100	310	60	235	200

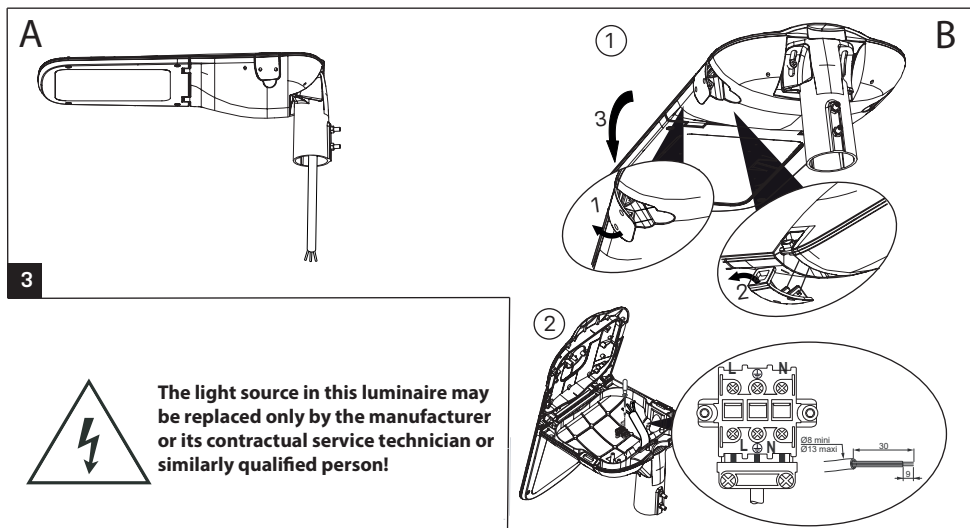
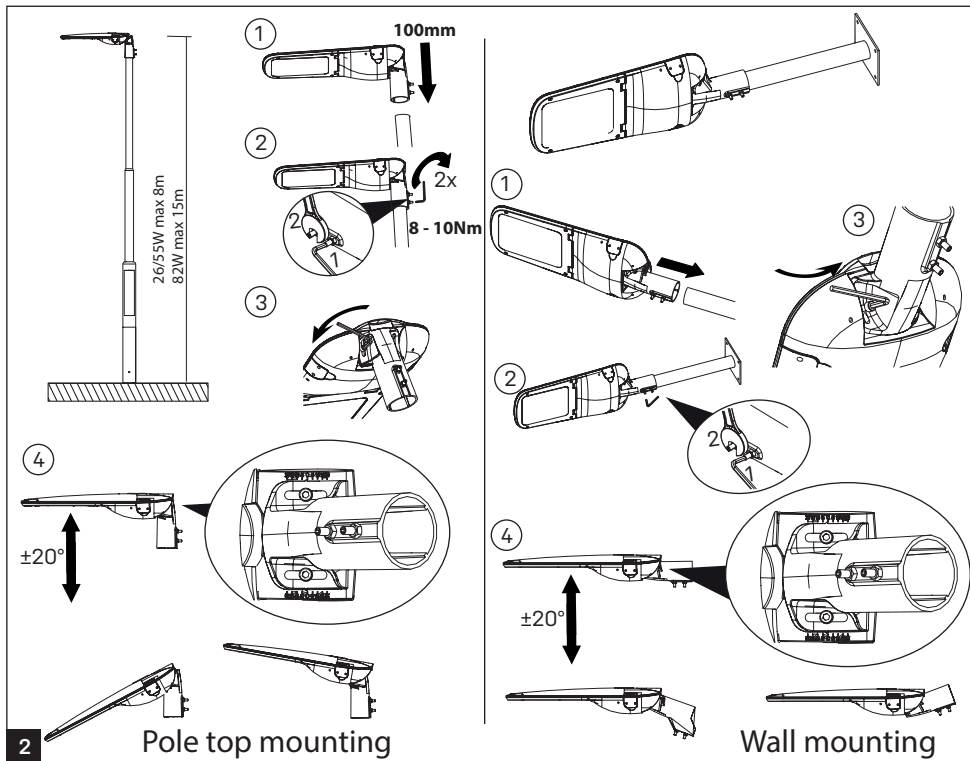
Installation can only be carried out by an authorized person and according to the mounting instructions. Any other installation is considered to be improper. Make sure that the luminaire is always disconnected from the power supply before the installation work. Do not use the luminaire if damaged or if damaged the power cable. Technical changes are subjected without notice. Do not dispose the luminaire or its parts as household waste, but make the proper recycling.

For wall mounting



Setting for pole top mounting





The light source in this luminaire may be replaced only by the manufacturer or its contractual service technician or similarly qualified person!

Table of maximal numbers of YO3 luminaires in one line										
POWER	3000K/4000K		10AB Σ luminaires	16AB Σ luminaires	20AB Σ luminaires	25AB Σ luminaires	10AC Σ luminaires	16AC Σ luminaires	20AC Σ luminaires	25AC Σ luminaires
26/55W	24/35	24/70	7	12	15	18	12	20	25	31
82W	48/52		6	11	13	17	11	18	23	29